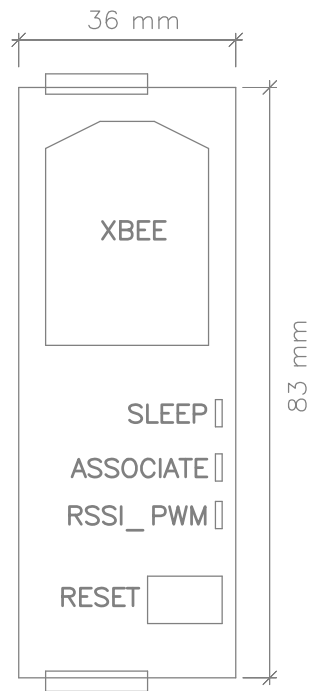


HEVs
 Route du Rawyl 47
 1950 Sion 2
 www.hevs.ch

Designer:
 Oliver Gubler
 oliver.gubler@hevs.ch
 or
 oliver.gubler@gmail.com

CanSat Slave XBee

Page	Title	Description
1	Cover	This first page
2	Connector	
3	XBee Module	



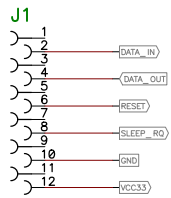
CanSat Slave XBee	DES	2014-07-17 guo
	REV	V1.0
	1/5	{Path} CanSat_Slave_XBee.sch

HAUTE ECOLE VALAISANNE

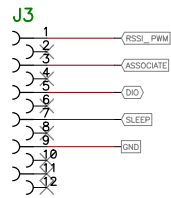
cover

Connectors

Bottom



Top



CanSat Slave XBee

connector

DES 2014-07-17 guo

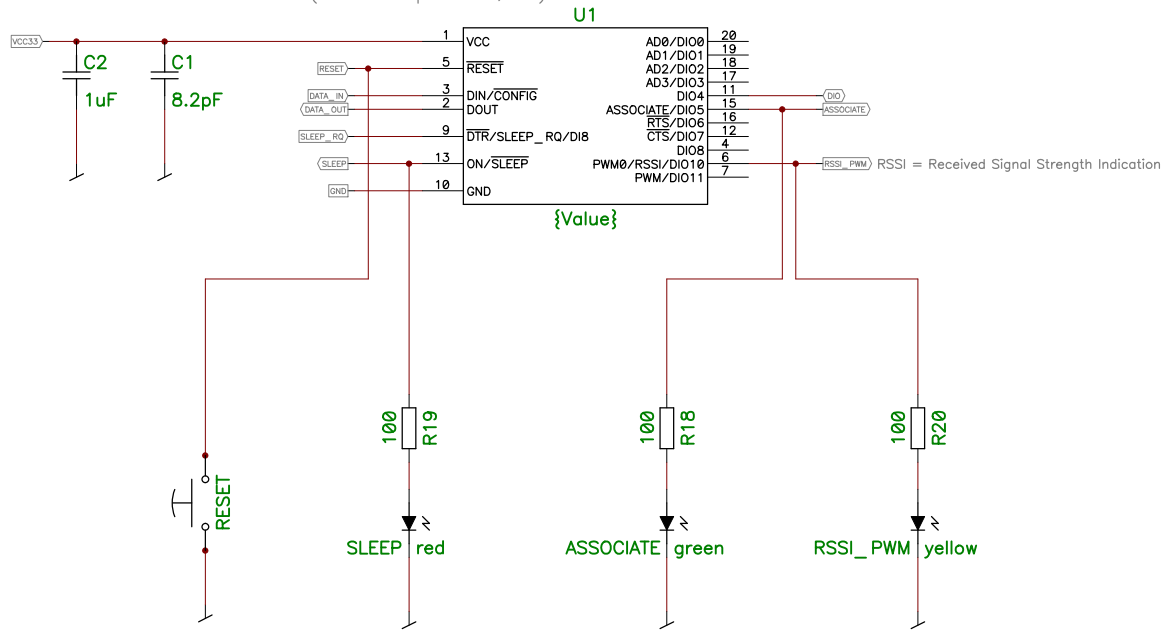
REV V1.0

HAUTE ECOLE VALAISANNE

2/5 {Path}
CanSat_Slave_XBee.sch

XBee module

Attention: the XBEE module we are using here is 32.94 mm long compared to the one which is 27.61 mm, the length is added on the square end (behind pin 10,11)



CanSat Slave XBee

XBeeModule

HAUTE ECOLE VALAISANNE

DES 2014-07-17 guo

REV V1.0

3/5 {Path} CanSat_Slave_XBee.sch