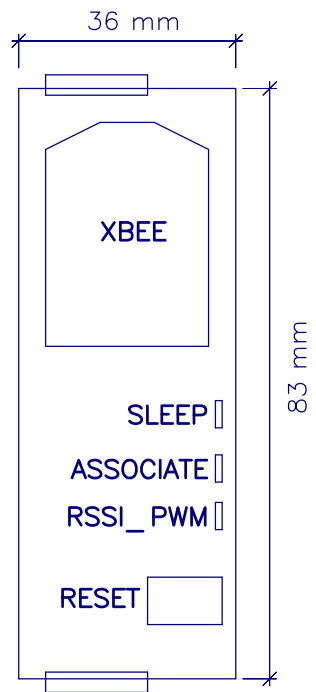


HEVs  
 Route du Rawyl 47  
 1950 Sion 2  
 www.hevs.ch

Designer:  
 Oliver Gubler  
 oliver.gubler@hevs.ch  
 or  
 oliver.gubler@gmail.com

CanSat Slave XBee

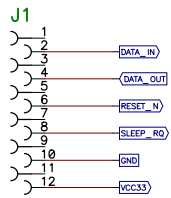
Page	Title	Description
1	Cover	This first page
2	Connector	
3	XBee Module	



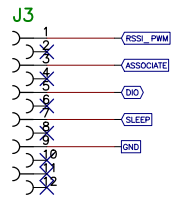
CanSat Slave XBee	DES	2014-07-17 guo
	REV	V1.0
	1/3	{Path} CanSat_Slave_XBee.sch

# Connectors

## Bottom



## Top



CanSat Slave XBee

connector

DES 2014-07-17 guo

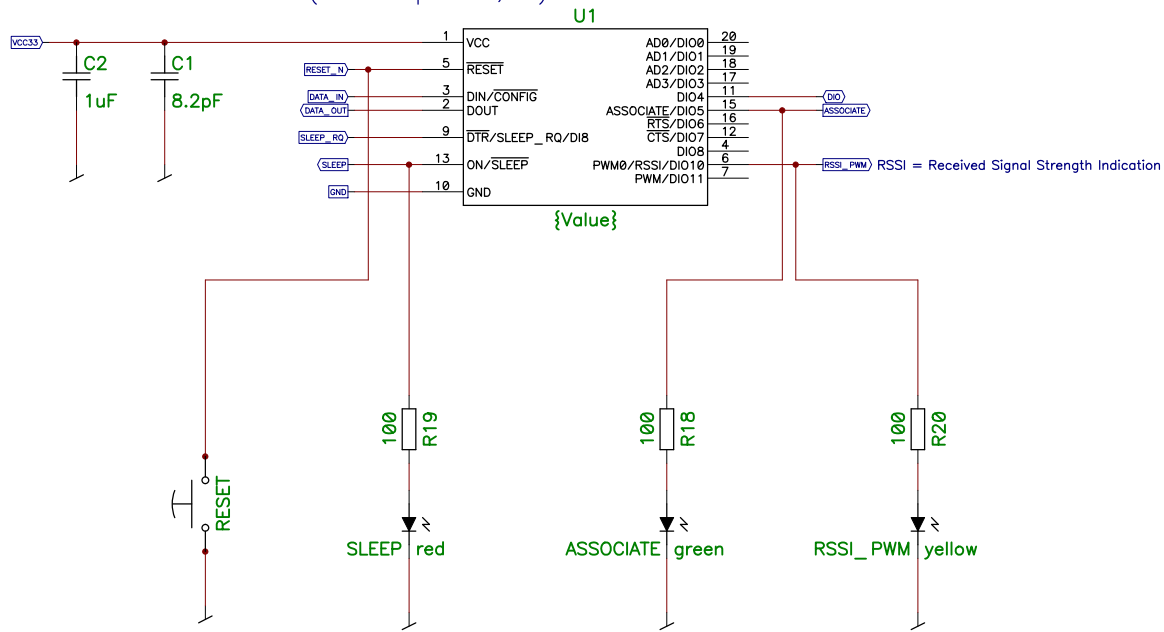
REV V1.0

HAUTE ECOLE VALAISANNE

2/3 {Path}  
CanSat\_Slave\_XBee.sch

# XBee module

Attention: the XBEE module we are using here is 32.94 mm long compared to the one which is 27.61 mm, the length is added on the square end (behind pin 10,11)



CanSat Slave XBee  module  HAUTE ECOLE VALAISANNE	DES	2014-07-17 guo
	REV	V1.0
	3/3	{Path} CanSat_Slave_XBee.sch