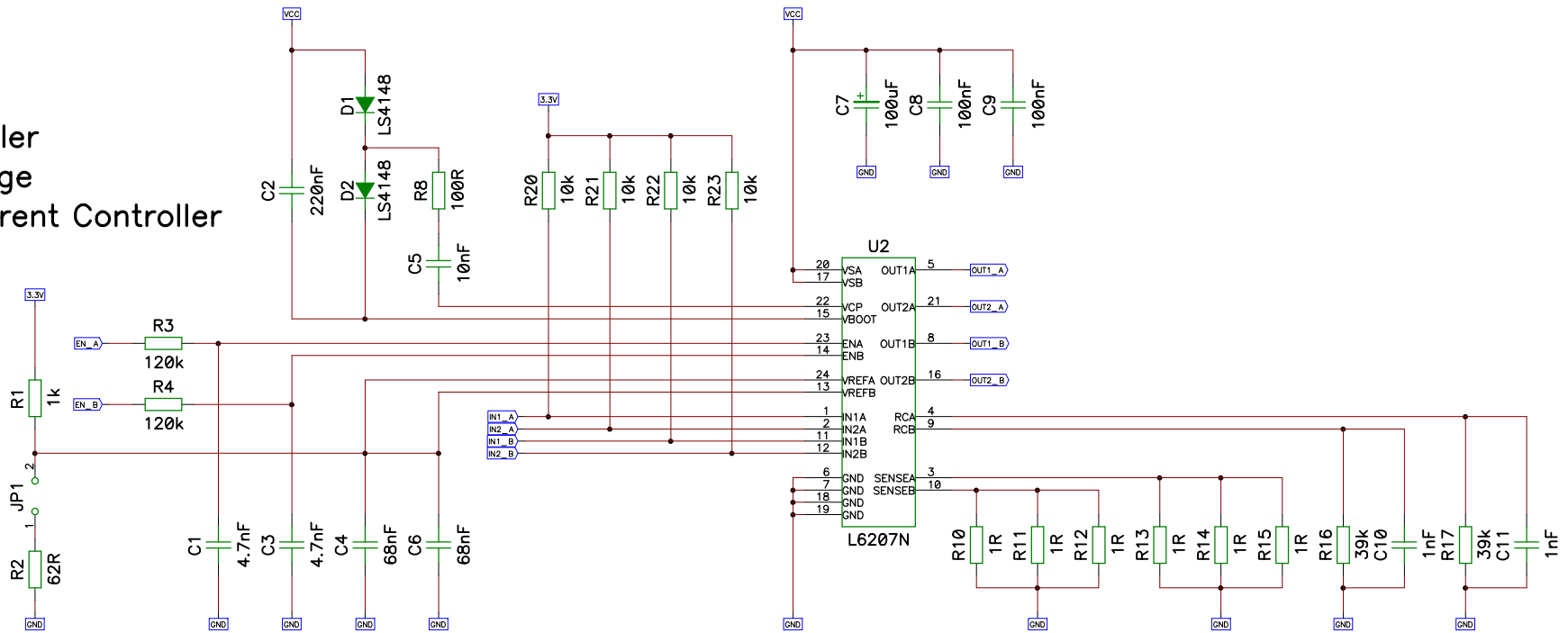
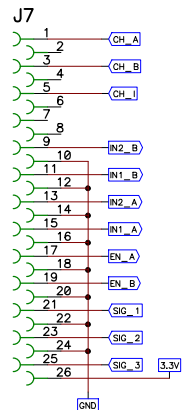


# Motor Driver

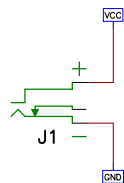
## Motor Controller Dual Full Bridge with PWM Current Controller



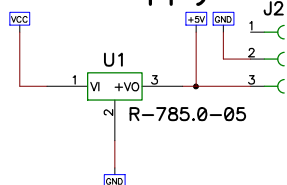
### General purpose Connector



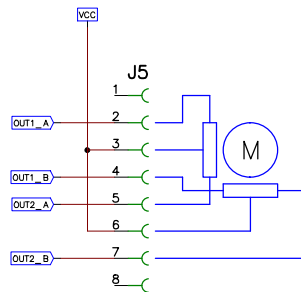
### DC Connector 6V – 34V



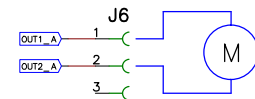
### DC-DC 5V Supply



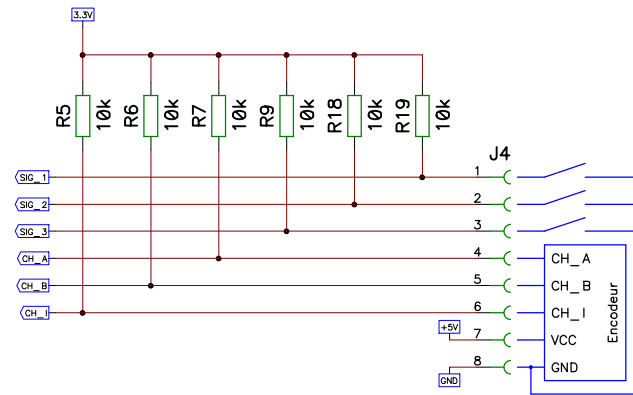
### Stepper Motor



### DC Motor



### Incremental Encoder and Reed Sensors



FPGA-EBS  
Driver moteur

Sheet1

HAUTE ECOLE VALAISANNE

DES 23.02.2009 WAL

REV V1.0

1/5 ...\\Logical\FPGA-EBS-MOTOR  
FPGA-EBS-MOTOR\_v2.sch