

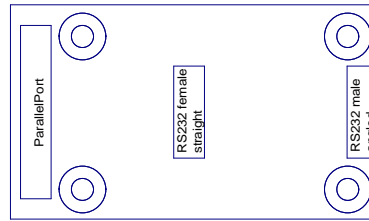
HEVs
Route du Rawyl 47
1950 Sion 2
www.hevs.ch

Higher Education Board – RS232 Connector Board(HEB–RS232)

Designer:
Oliver Gubler
oliver.gubler@hevs.ch
or
oliver.gubler@gmail.com

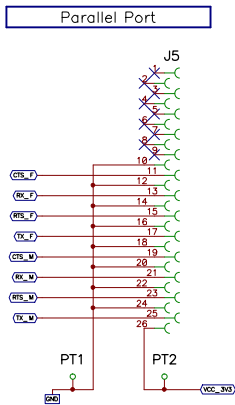
Page	Title	Description
1	Cover	This first page
2	Inverter	Inverting Amplifier and Jack connectors
3	Power	Power connector and stable reference voltage generation

Board dimensions and drill holes like HEB board

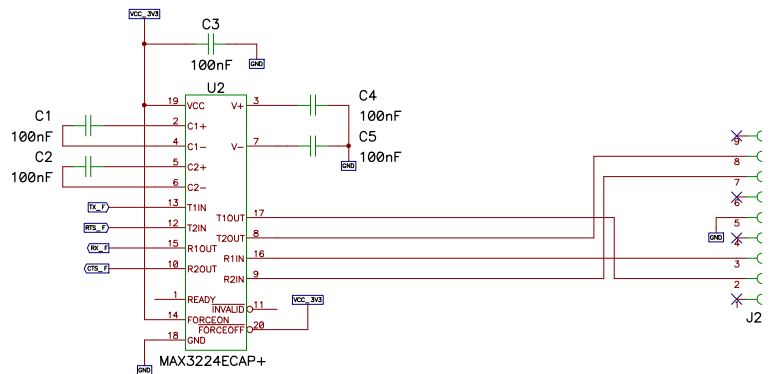


RS232 Connector Board	DES	2014-06-12 guo
cover	REV	V1.0
HAUTE ECOLE VALAISANNE	1/5	{Path} heb_rs232.sch

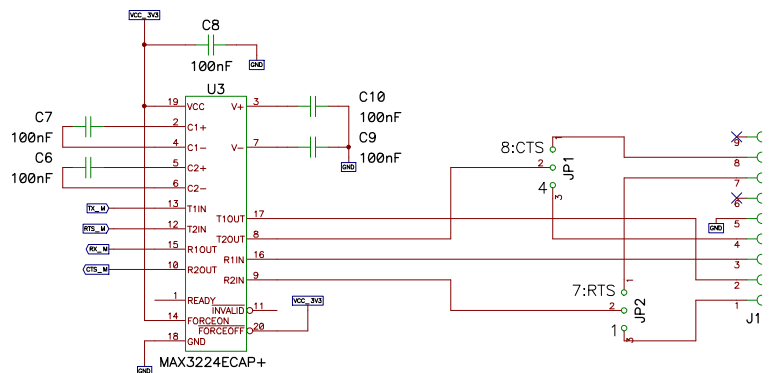
Connector



RS-232 SERIAL PORT FEMALE STRAIGHT



RS-232 SERIAL PORT MALE ANGLED



RS232 Connector Board	DES	2014-06-12 guo
connector	REV	V1.0
HAUTE ECOLE VALAISANNE	2/5	{Path} heb_rs232.sch