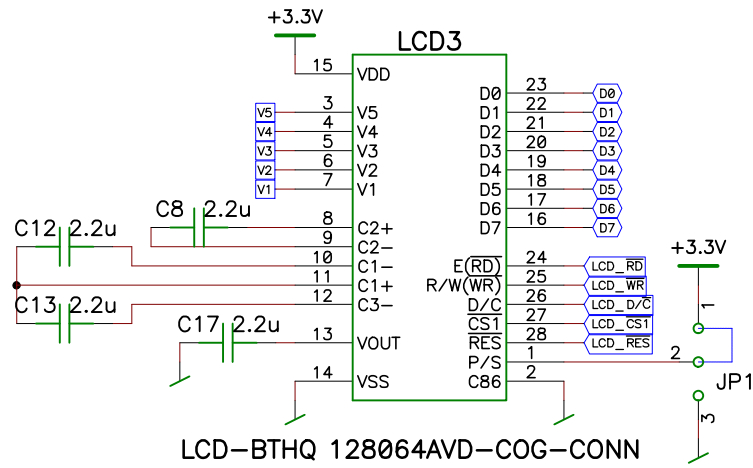


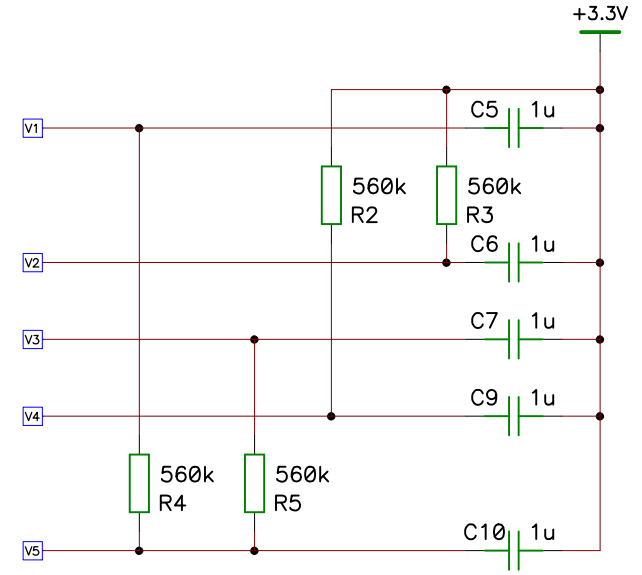
PICEBS1	DES	27.10.08 Darbellay Francois
	REV	V1.1
HAUTE ECOLE VALAISANNE	1/4	PICEBS1_v1.1.SCH

LCD display



JP1

When JP1 is connected to ground,
the display is in SPI mode.
When JP1 is connected to Vcc,
the display is in Parallel mode

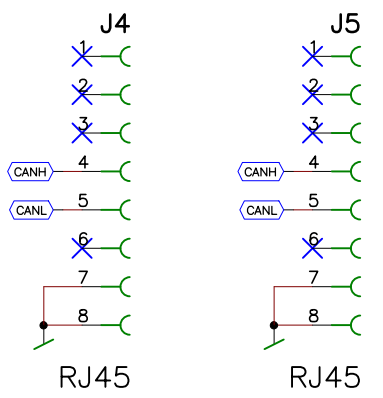
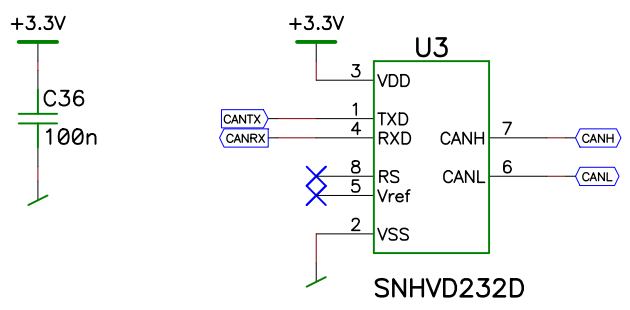


LCD2

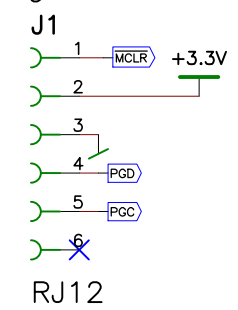
MECANIQUE
AFFICHAGE LCD
BTHQ 128064AVD-COG

PICEBS1	DES	27.10.08Darbellay Francois
	REV	V1.1
Display		
HAUTE ECOLE VALAISANNE	2/4	PICEBS1_v1.1.SCH

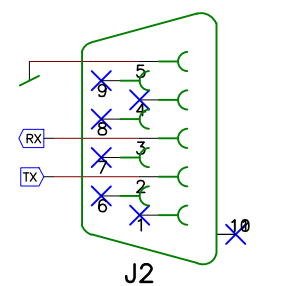
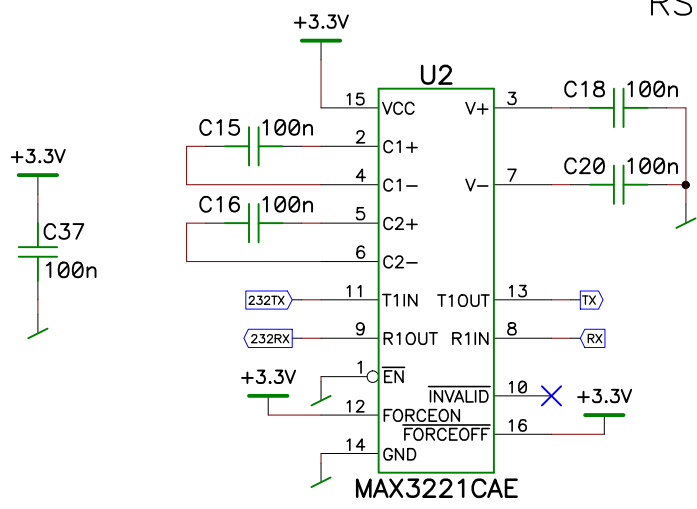
CAN Bus



Programation



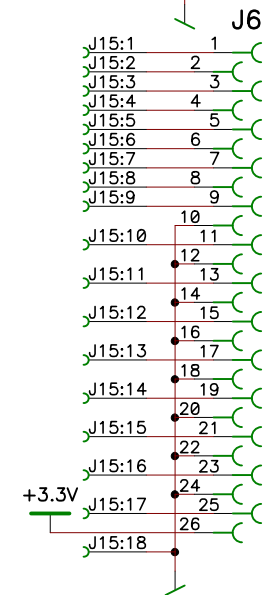
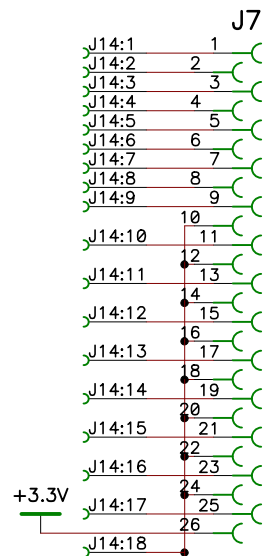
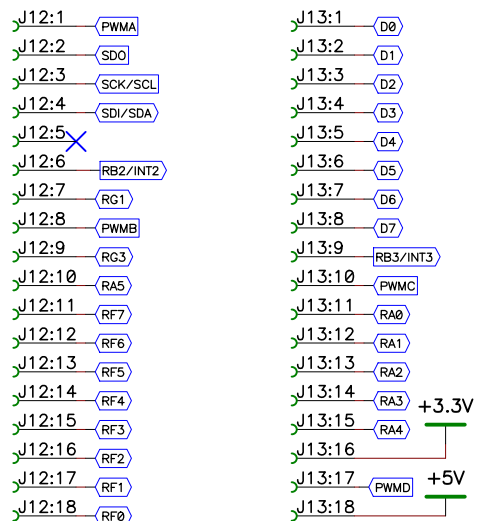
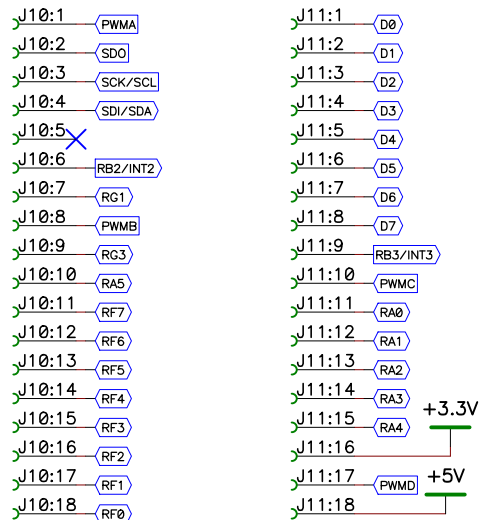
RS-232



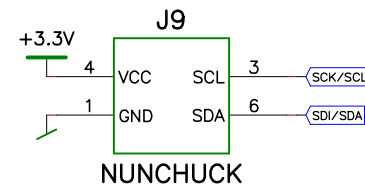
RS-232 Femelle

PICEBS1	DES	27.10.08Darbellay Francois
	REV	V1.1
HAUTE ECOLE VALAISANNE	3/4	PICEBS1_v1.1.SCH

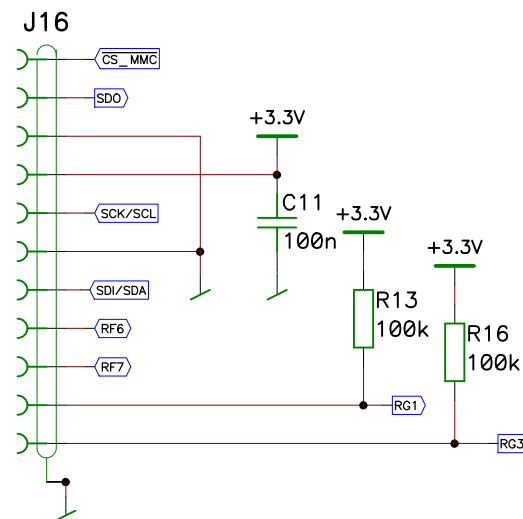
Connectors 26Poles



Connector Nunchuck



Connector SD-MMC



PICEBS1	DES	27.10.08Darbellay Francois
	REV	V1.1
connectors		
HAUTE ECOLE VALAISANNE	4/4	PICEBS1_v1.1.SCH