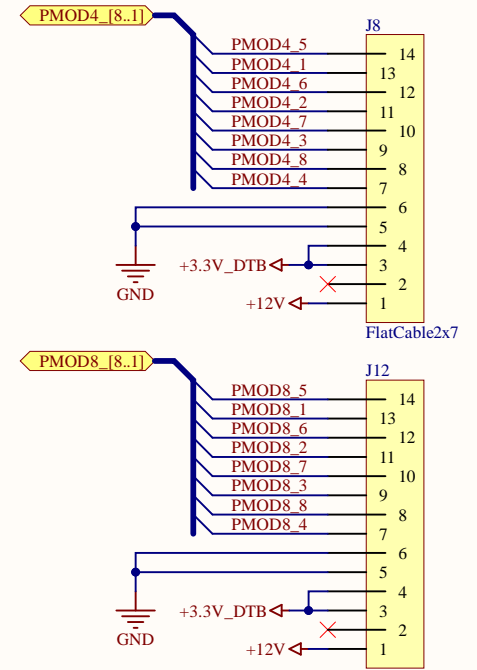
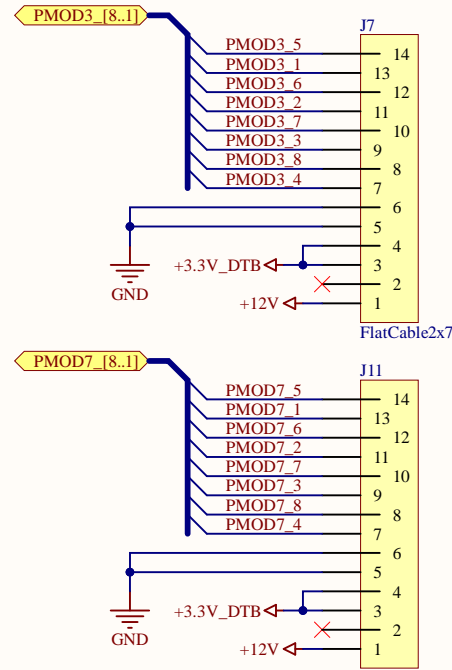
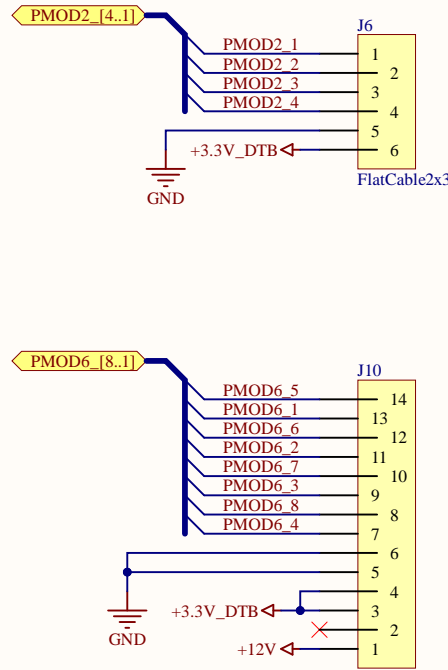
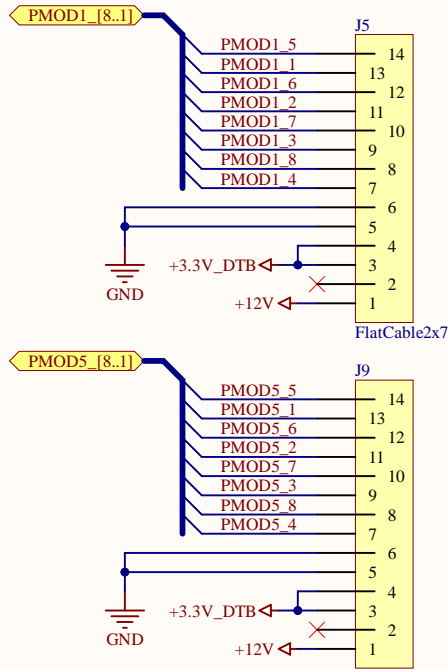
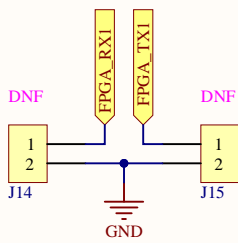


Kart_Mobo.PrjPcb		
Power.SchDoc	Date : 14.06.2022	
Revision : 1.1	Sheet 1 of 3	
Design by : AmA		
C:\dev\fpga-eb3\02_Execution\04_PCB\02_Kart_Mobo\Kart_Mobo\Power.SchDoc		

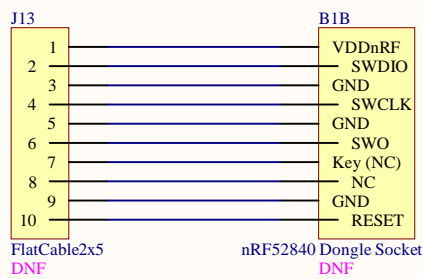
PMODs



UART sniffer

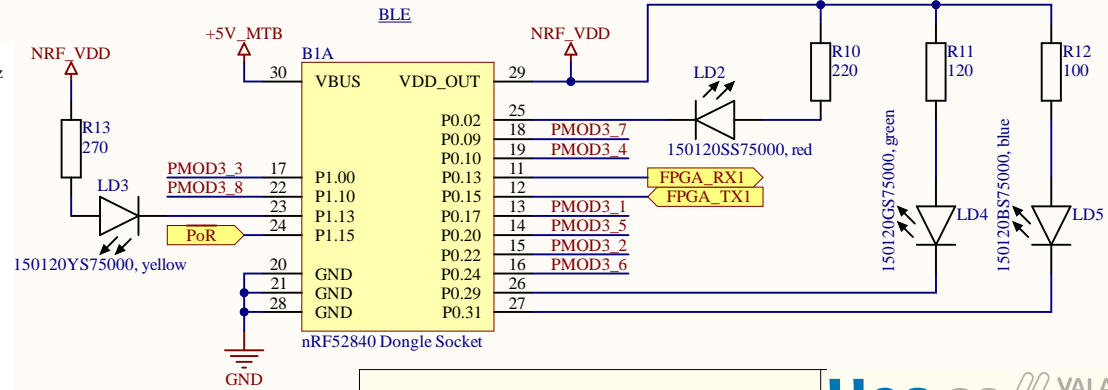


BLE debug



nRF IO descr.
Low freq = max 10kHz

P0.02 (25) : low freq.
P0.09 (18) : low freq.
P0.10 (19) : low freq.
P0.13 (11) : IO
P0.15 (12) : IO
P0.17 (13) : IO
P0.20 (14) : IO
P0.22 (15) : IO
P0.24 (16) : IO
P0.29 (26) : low freq.
P0.31 (27) : low freq.
P1.00 (17) : IO, SWO
P1.10 (22) : low freq.
P1.13 (23) : low freq.
P1.15 (24) : low freq.



Kart_Mobo.PrjPcb

IOs.SchDoc

Revision : 1.1

Sheet 2 of 3

Hes·SO VALAIS WALLIS

Date : 14.06.2022

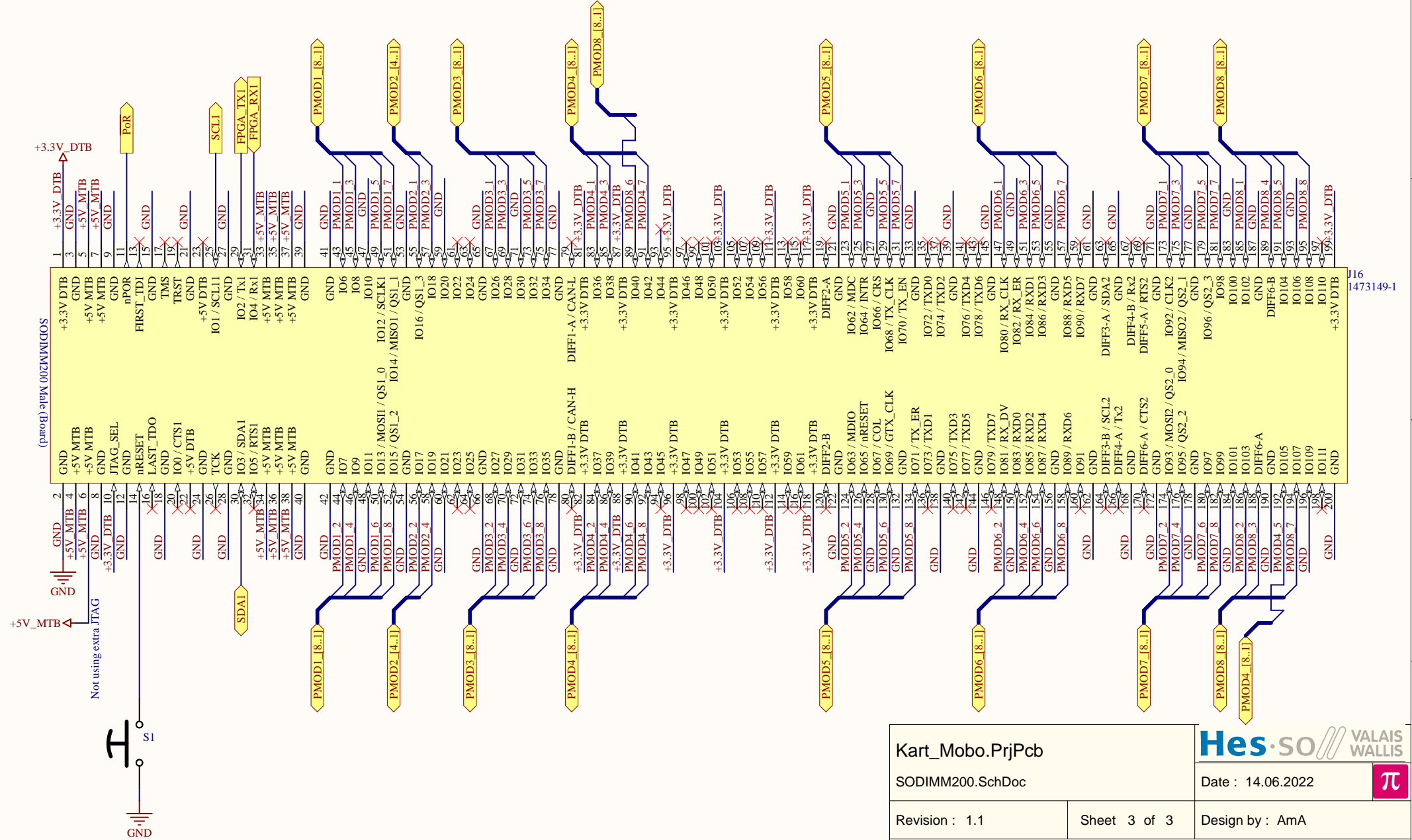
Design by : AmA

C:\dev\fpga-eb3\02_Execution\04_PCB\02_Kart_Mobo\Kart_Mobo\IOs.SchDoc

SODIMM-200 connections

A
B
C
D

A
B
C
D



U16
1473149-1

Kart_Mobo.PrjPcb		
SODIMM200.SchDoc		
Revision : 1.1	Sheet 3 of 3	Date : 14.06.2022
Design by : AmA		
C:\dev\pga-eb3\02_Execution\04_PCB\02_Kart_Mobo\Kart_Mobo\SODIMM200.SchDoc		