
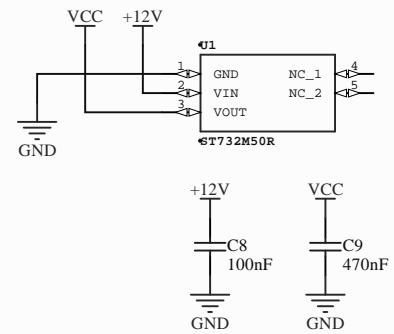
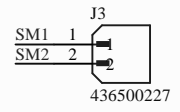
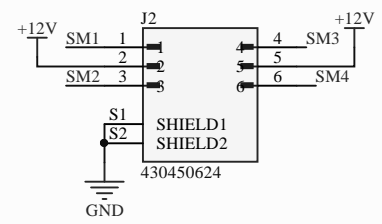
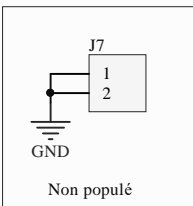
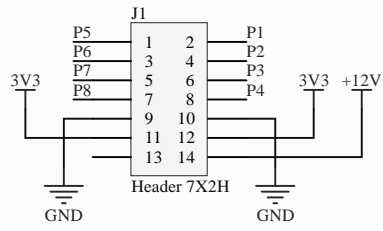


PCB-DMK1.PrjPcb		Des Choses Pareilles Rue du Biais 19 1957 Ardon www.des-chooses-pareilles.ch	DES CHOSSES PAREILLES 
Driver moteur compatible Pmod		Date: 27.06.2022 Drawn by: Romain Corthésy	
Revision: 0	Sheet 1 of 1		
File DMK1.SchDoc			



Title		
Size	Number	Revision
A4		
Date:	27.06.2022	Sheet of
File:	E:\My Drive\...\DMK1 - Alimentation.Sch Drawn By:	