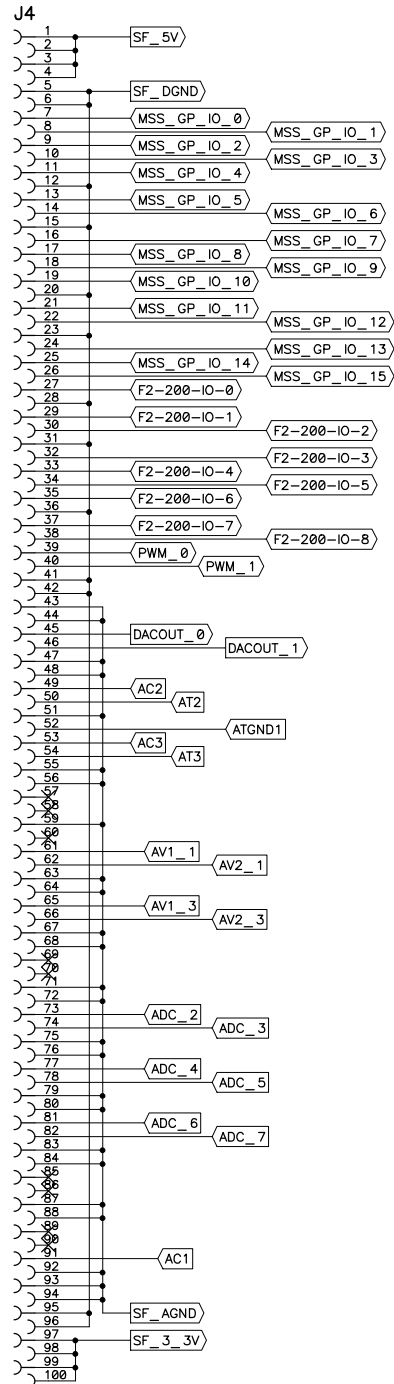
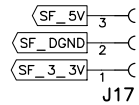


Smart Fusion
Dev Board Connector
Mixed Signal Header

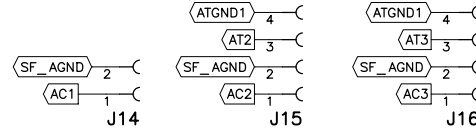


Analog Connectors

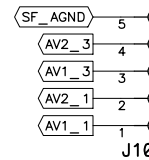
Sigma Delta DAC Out



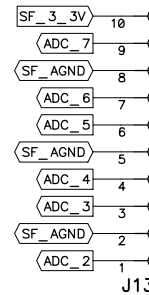
U-I-Temp-Measure



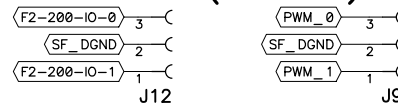
Active Bipolar Prescaler Inputs



ADC

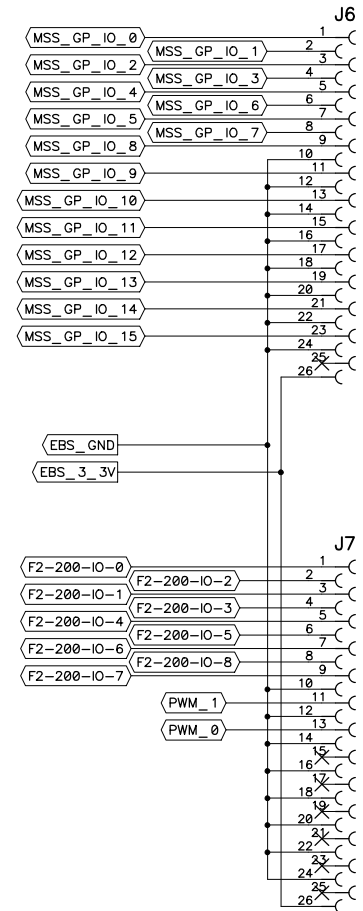


I/O & PWM (Filtered)



General purpose Connector
For FPGA EBS v2.1

On mezzanine side



PureDigital Convert Board For SmartFusion Dev Board	DES	22.11.2011 zas
Sheet 1	REV	v1.0
HAUTE ECOLE VALAISANNE	1/3	{Path} SmartFusion Mixed Header Convert Board.sch