

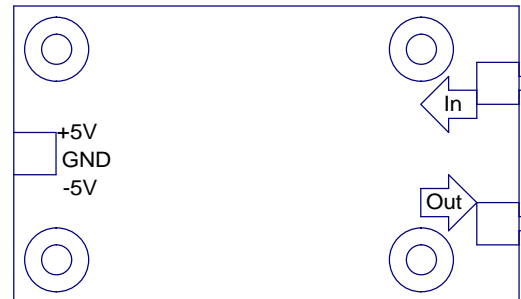
HEVs
 Route du Rawyl 47
 1950 Sion 2
 www.hevs.ch

Higher Education Board – Generic Inverting Amplifier (HEB–GIA)

Designer:
 Oliver Gubler
 oliver.gubler@hevs.ch
 or
 oliver.gubler@gmail.com

Page	Title	Description
1	Cover	This first page
2	Inverter	Inverting Amplifier and Jack connectors
3	Power	Power connector and stable reference voltage generation

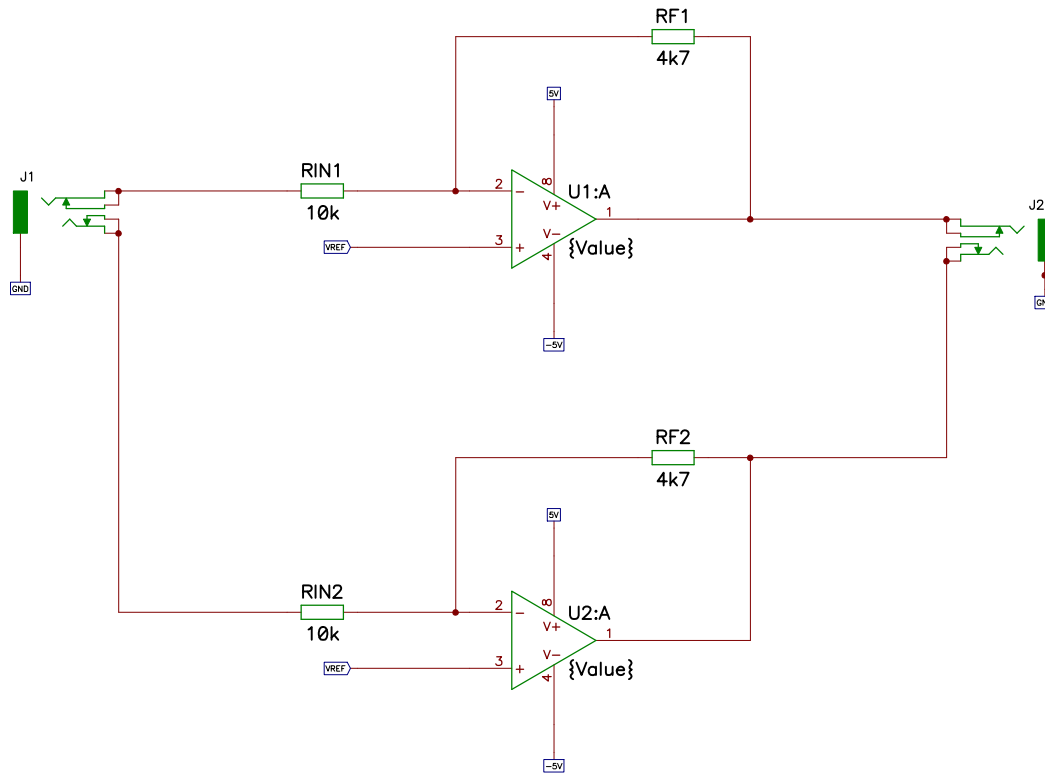
Board dimensions and drill holes like HEB board



Generic Inverting Amplifier	DES	2014-04-10 guo
	REV	V1.0
HAUTE ECOLE VALAISANNE	1/5	{Path} heb_gia.sch

cover

Inverter



Generic Inverting Amplifier

inverter

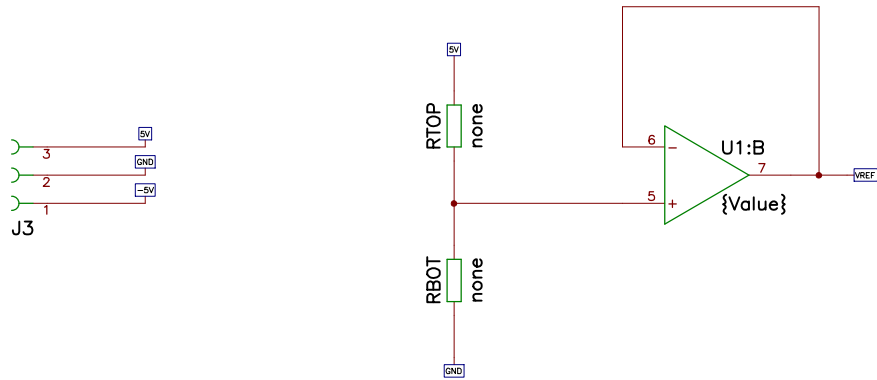
DES 2014-04-10 guo

REV v1.0

HAUTE ECOLE VALAISANNE

2/5 {Path}
heb_gia.sch

Power



Generic Inverting Amplifier

power

DES 2014-04-10 guo

REV v1.0

HAUTE ECOLE VALAISANNE

3/5 {Path} heb_gia.sch